



INSTALLATION INSTRUCTIONS

Dual Split Rear Exhaust System

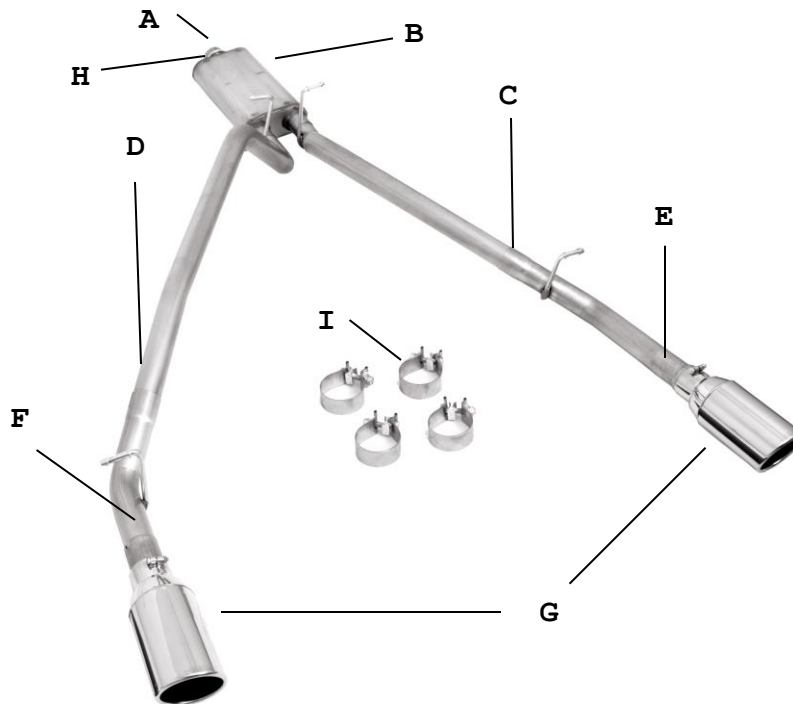
2025+ Ram 1500 3.0L I6 DOHC

Quad Cab, Standard bed 6ft 4.3" 2/4wd

Crew Cab, Short bed 5ft 7.4" 2/4wd

Equipped with Factory Dual Exhaust

PART #66573



ITEM	Part Number	Quantity	Description
A	999701186S	1	3.0" Head pipe
B	BM0109V	1	2.5" MWA SuperFlow Single inlet / 3.0" Dual Outlet Muffler
C	999701006S	1	2.5" Passenger Side Overaxle Pipe
D	999701005S	1	2.5" Driver Side Over axle Pipe
E	999701008S	1	2.5" Passenger Side Exit pipe
F	999701007S	1	2.5" Driver Side Exit pipe
G	500662	2	5.0" Polished Stainless-Steel Tip
H	5763	1	3.0" Band Clamp
I	5762	4	2.5" Band Clamp
J	BO-1034	1	Bolt Kit

Thank you for purchasing our GIBSON EXHAUST SYSTEM for your Vehicle. If you need further assistance, please do not hesitate to call our Technical Department at (800) 528-3044, Monday through Friday, 8:00 am to 5:00 pm PST. 12/24

CAREFULLY READ INSTRUCTIONS BEFORE INSTALLING PRODUCT

When installing this exhaust system make sure to use proper safety precautions. Use jack stands when working under the vehicle, set parking brake, block tires and use safety glasses and gloves. Allow exhaust to cool before attempting installation. Severe injury or burns could occur if safety measures are not taken.

SUGGESTED TOOLS: 1/2", 9/16" 15mm wrenches & sockets, WD-40, hacksaw, jack stands.



Lay out the exhaust on the floor so it looks like the drawing and compare parts with manual. To remove the stock exhaust remove it from the factory flange in front of your stock muffler. Leave all rubber grommets in place. Use WD-40 to aid in removal of exhaust and hangers. Use hacksaw to cut tailpipe off for easier removal.



Install the passenger side tailpipe #C into the muffler at least 1-1/2" to 2". Use clamp #J to secure pipe to muffler. Do not tighten.



Install head pipe # A
Use a jack stand to support the factory exhaust.
Do not tighten.



Install exit pipes # E and #F
Use clamps #I to secure exit pipes to tailpipes. The system is a universal kit and will require some adjusting to find the optimum position for your vehicle. Sometimes the muffler outlets may need to be rotated slightly to help find the perfect fit.



Install muffler onto head pipe # A 1-1/2" to 2".
Use a jack stand to support the muffler. Use clamp #I to secure the muffler to the head pipe. Do not tighten



Install the Gibson Tips onto your exit pipes. Place the tips to your desired position. Be for tightening down the system it is recommended to secure the tips in the position you want and check the location after each connection is tightened.



Install the driver side tailpipe # D into the muffler at least 1-1/2" to 2". This pipe will route over the axle and between the Frame rail and tire. Use clamp #J to secure pipe to the muffler. Do not tighten..



Now go back and tighten all clamps, nuts and bolts. Use stainless steel cleaner weekly to prevent tip from discoloration. Inspect all fasteners after 25-50 miles of operation and re-tighten as necessary.

GIBSON EXHAUST systems are designed on a factory stock vehicle. Any aftermarket products installed could increase the sound levels of this Exhaust. Make sure there is a 1" clearance from ALL rubber brake lines, shock boots, fuel lines, tires, etc to prevent heat related damage or fire.