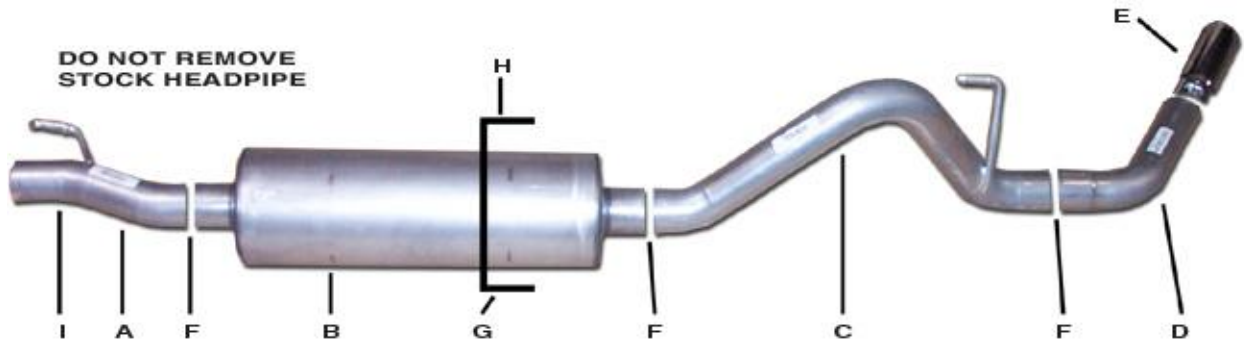




INSTRUCTION MANUAL

CAT-BACK STAINLESS SINGLE EXHAUST SYSTEM DODGE RAM 1500 TRUCK 5.7L HEMI 2/4WD QUAD CAB, SHORT BED 4DR PART# 616591



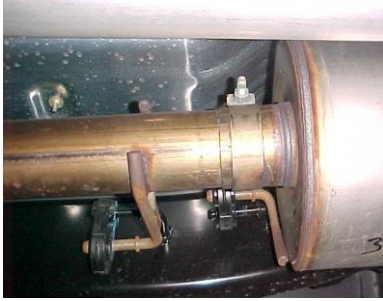
| ITEM | PART # | QUANTITY | DESCRIPTION |
|------|---------------|----------|--------------------------------|
| A | 787-700546S | 1 | 3" STAINLESS EXTENSION PIPE |
| B | 766302S | 1 | STAINLESS SUPERFLOW MUFFLER |
| C | 558-700406S | 1 | 3" STAINLESS OVERAXLE W/HANGER |
| D | 154-50032RS-2 | 1 | 3" STAINLESS EXIT PIPE |
| E | 500360 | 1 | 3-1/2" STAINLESS TIP |
| F | OHD300 | 3 | 3" CLAMP |
| G | 4187 | 1 | BAND CLAMP |
| H | BO-1015 | 1 | BAND CLAMP BOLT KIT |
| I | 5758 | 1 | 2.75" CLAMP |

WILL NOT FIT WITH FACTORY GROUND KIT

Thank you for purchasing our GIBSON EXHAUST SYSTEM for your vehicle. If you need further assistance, please do not hesitate to call our Technical Department at (800) 528-3044, Monday through Friday, 8:00 am to 5:00 pm.

WHEN INSTALLING THIS EXHAUST SYSTEM MAKE SURE TO USE PROPER SAFTEY PRECAUTIONS. USE JACK STANDS WHEN UNDER THE TRUCK, SET PARKING BRAKE, BLOCK TIRES AND USE SAFTEY GLASSES AND GLOVES. **DO NOT WORK WITH HOT PIPES!**

**TO REMOVE STOCK EXHAUST
UNCLAMP IT JUST IN FRONT OF THE MUFFLER.**



LAY OUT THE EXHAUST ON THE FLOOR SO IT LOOKS LIKE THE DRAWING AND COMPARE PARTS TO THE MANUAL. **TO REMOVE THE STOCK EXHAUST UNCLAMP IT JUST IN FRONT OF THE MUFFLER.** YOU MAY NEED TO HEAT IT UP FOR EASIER REMOVAL. LEAVE ALL RUBBER GROMMETS IN PLACE.



INSTALL THE OVERAXLE TAILPIPE #C INTO THE MUFFLER 1-1/2" TO 2". INSERT WELDED HANGER INTO RUBBER GROMMET. USE CLAMP #F TO SECURE TAILPIPE TO THE MUFFLER. DO NOT TIGHTEN.



INSTALL HEADPIPE #A ONTO YOUR EXISTING STOCK FRONT PIPE AND SECURE WITH CLAMP #I. INSERT HANGER INTO RUBBER GROMMET.



INSTALL EXIT PIPE #D OVERAXLE PIPE. ROLL TURNOUT PIPE UNTIL YOU HAVE IT AT THE CORRECT ANGLE FOR YOUR TRUCK AND CONNECT WITH CLAMP #F. BUT DO NOT TIGHTEN.



INSTALL MUFFLER #B ONTO HEADPIPE #A 1-1/2" TO 2" WITH THE LOUVERS FACING TOWARDS THE CONVERTER. USE A JACK STAND TO SUPPORT THE MUFFLER. USE CLAMP #F TO SECURE THE MUFFLER TO THE HEADPIPE. DO NOT TIGHTEN.



INSTALL STAINLESS STEEL TIP. WHEN YOU HAVE EVERYTHING IN PLACE, FIRMLY TIGHTEN ALL BOLTS AND CLAMP DOWN SECURELY. TO CLEAN STAINLESS STEEL TIP USE ANY STAINLESS STEEL CLEANER AND SCOTCH BRITE PAD.



SLIDE BAND CLAMP #G ONTO MUFFLER #B. INSERT HANGERS INTO RUBBER GROMMETS.

SUGGESTED TOOLS:
1/2" WRENCH, 9/16" SOCKET, 15MM SOCKET, HACKSAW, JACKSTAND, Wd-40

MAKE SURE YOU HAVE A 1" CLEARANCE ON ALL RUBBER BRAKE & FUEL LINES, SHOCK BOOTS, TIRE, ETC...